

INSTALLATION GUIDE

PACKAGE CONTENTS |

THE MAGIC ELEK ULTRA FLAT CABLE



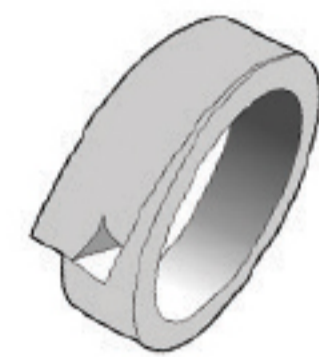
CONNECTORS X2 (MALE & FEMALE) + DELETED WIRE



DOUBLE-SIDED ADHESIVES X2



DOUBLE-SIDED ADHESIVE TO STICK THE CABLE



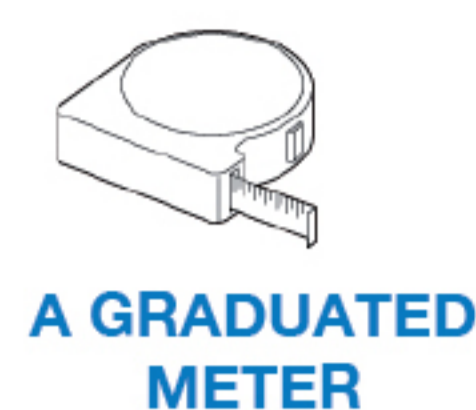
SCREWDRIVER AND GLUE



WHITE ADHESIVE WALLPAPER



TOOLS NEEDED FOR INSTALLATION (not included) |



A GRADUATED METER



PENCIL



SCISSORS

IMPORTANT |

>Read all instructions before assembly **B.** and installation **A.**

>Do not assemble Magic Elek and its connectors in a damp place.

>First, unscrew the screws to insert the Magic Elek cable into the connecting terminal. Then, when assembling the connectors, screw them back in so as to pierce the cable with the screws.

>Use a special plastic paint that allows better adhesion to the cable. If you already have your own paint, we advise you to apply a special undercoat of plastic paint beforehand.

>Do not install near a hot source (radiator, stove, etc.).

>A demonstration video is available on our website : en.magicelek.com or on YouTube, type "Magic Elek".

TRICKS |

> For a quick and discreet installation, use Magic Elek under wallpaper, under carpet and other floors.

> Put the connectors behind the devices, for optimal installation.

> Using Magic Elek along the complaints of your walls optimizes the path of the cable.

> Using textured paint helps hide Magic Elek better.

> Possibility of closing a door or a window on it, without damaging it.

> The cable can bend, crush and be touched with bare hands when current is flowing. It is waterproof and does not catch fire.

OPTIONAL TOOLS AND MATERIALS FOR INSTALLATION |



Screwdriver



Coated



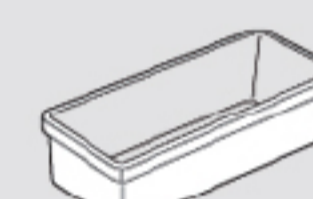
Plaster blade



Roller and brush



Paint

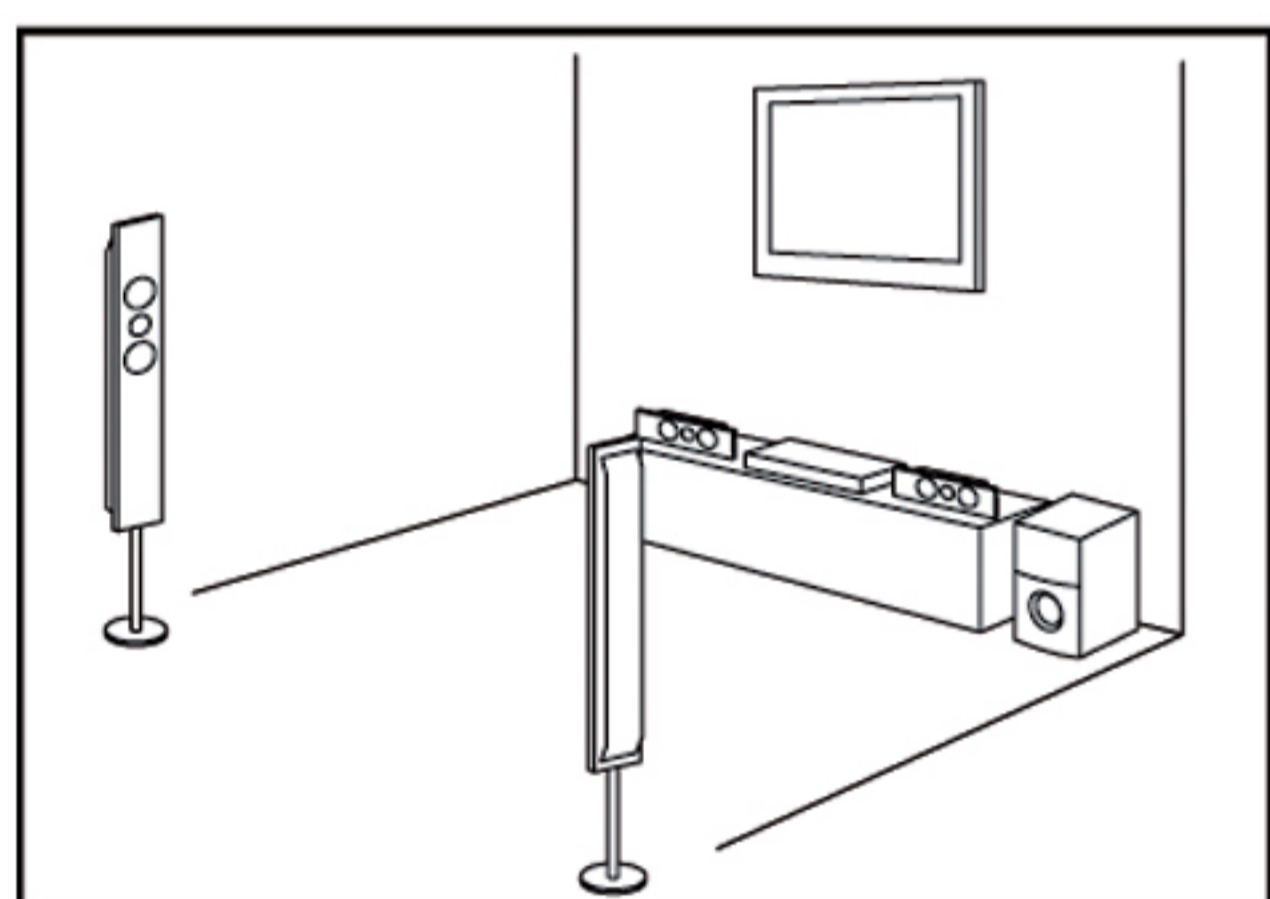


Mixing tank

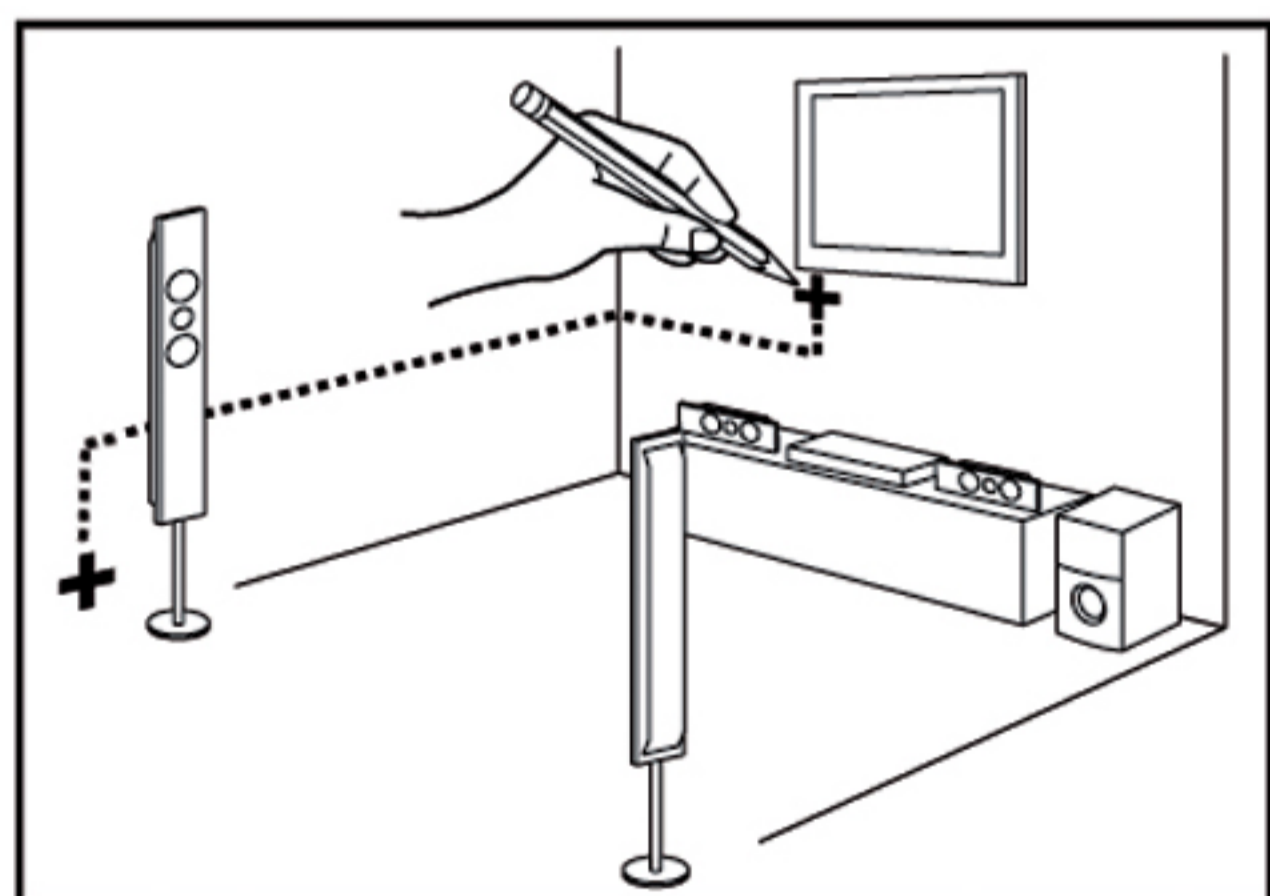


bubble level

A. INSTALLATION INSTRUCTION |

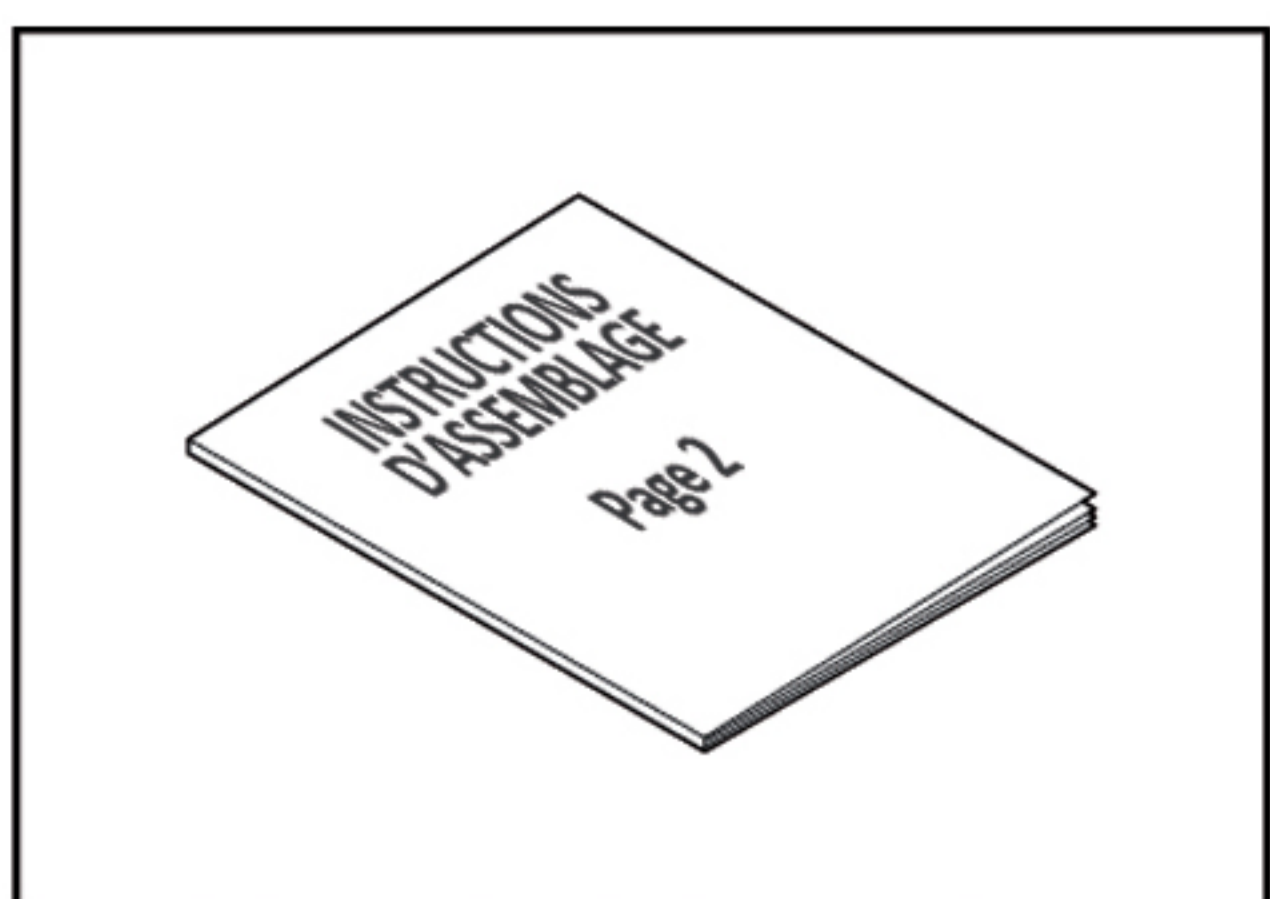


1. Position your devices.

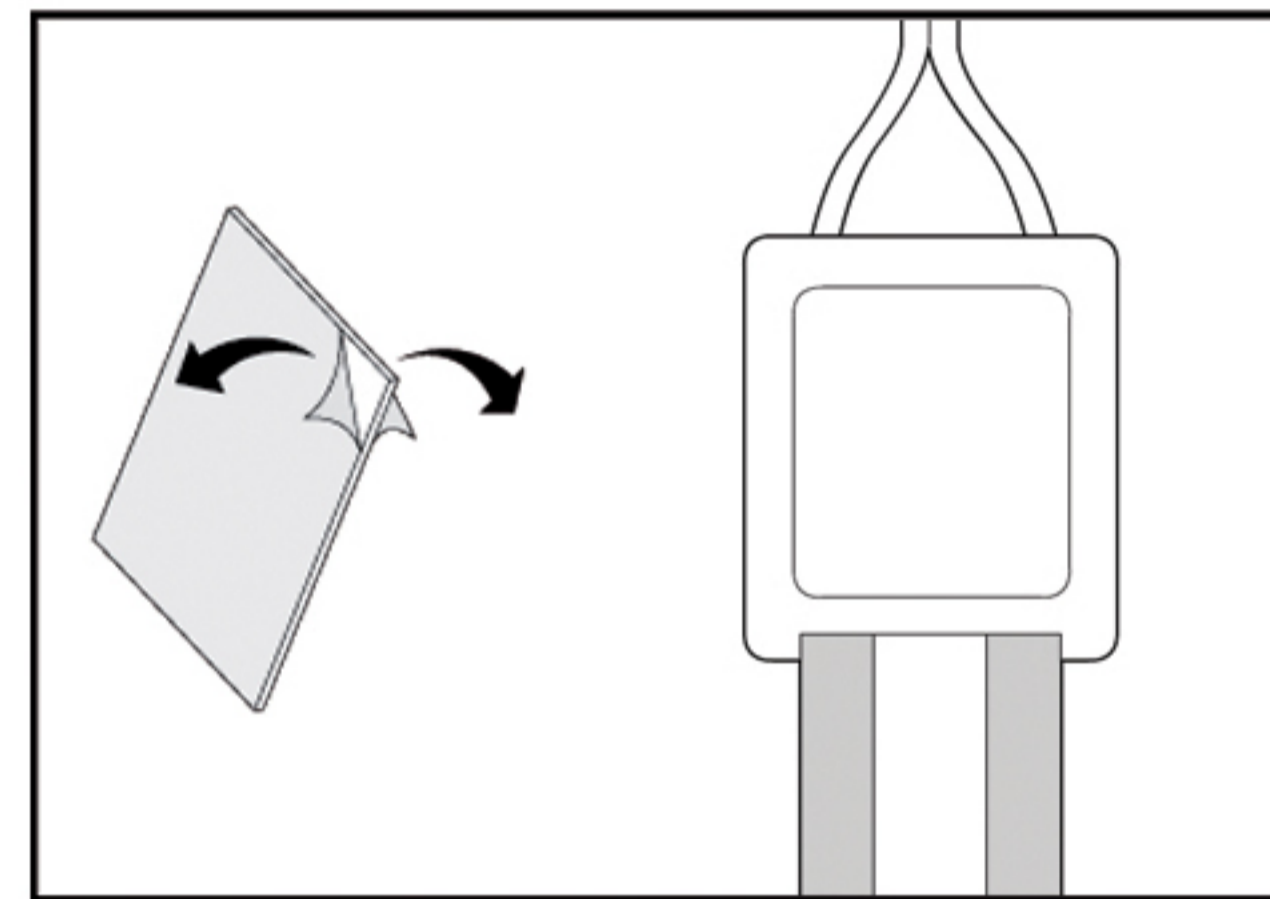


2. Mark the path of MAGIC ELEK.

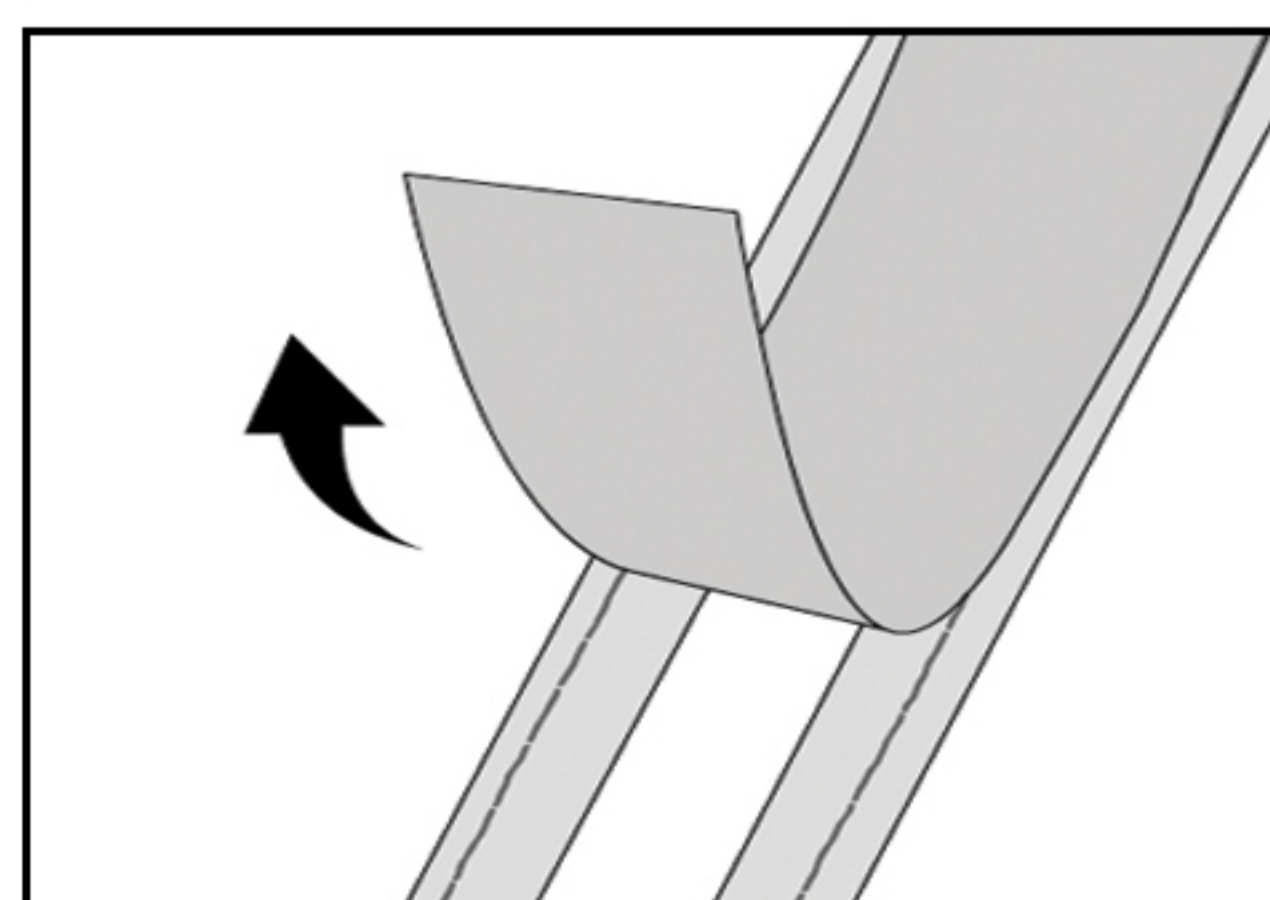
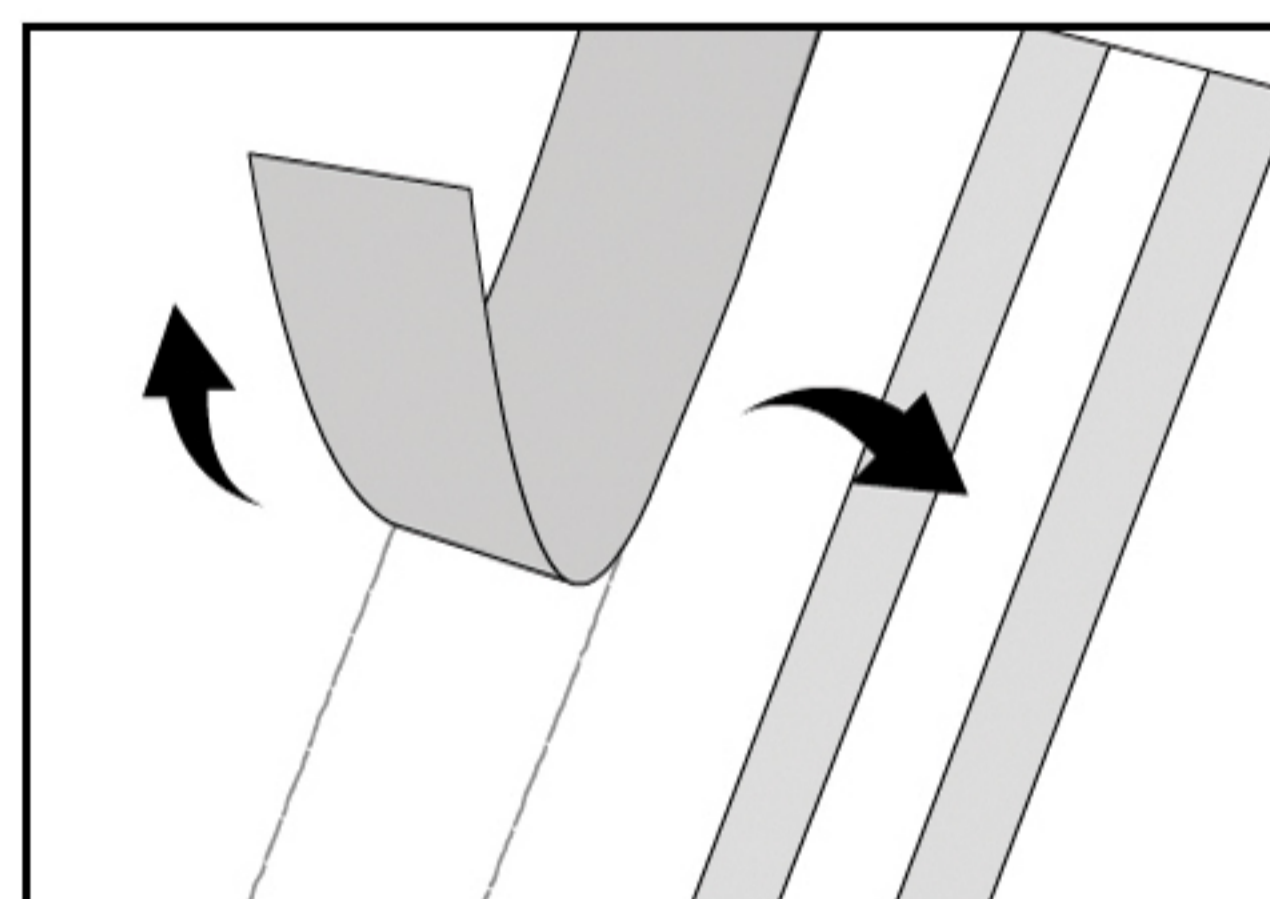
Measure the distance between your devices before cutting MAGIC ELEK.



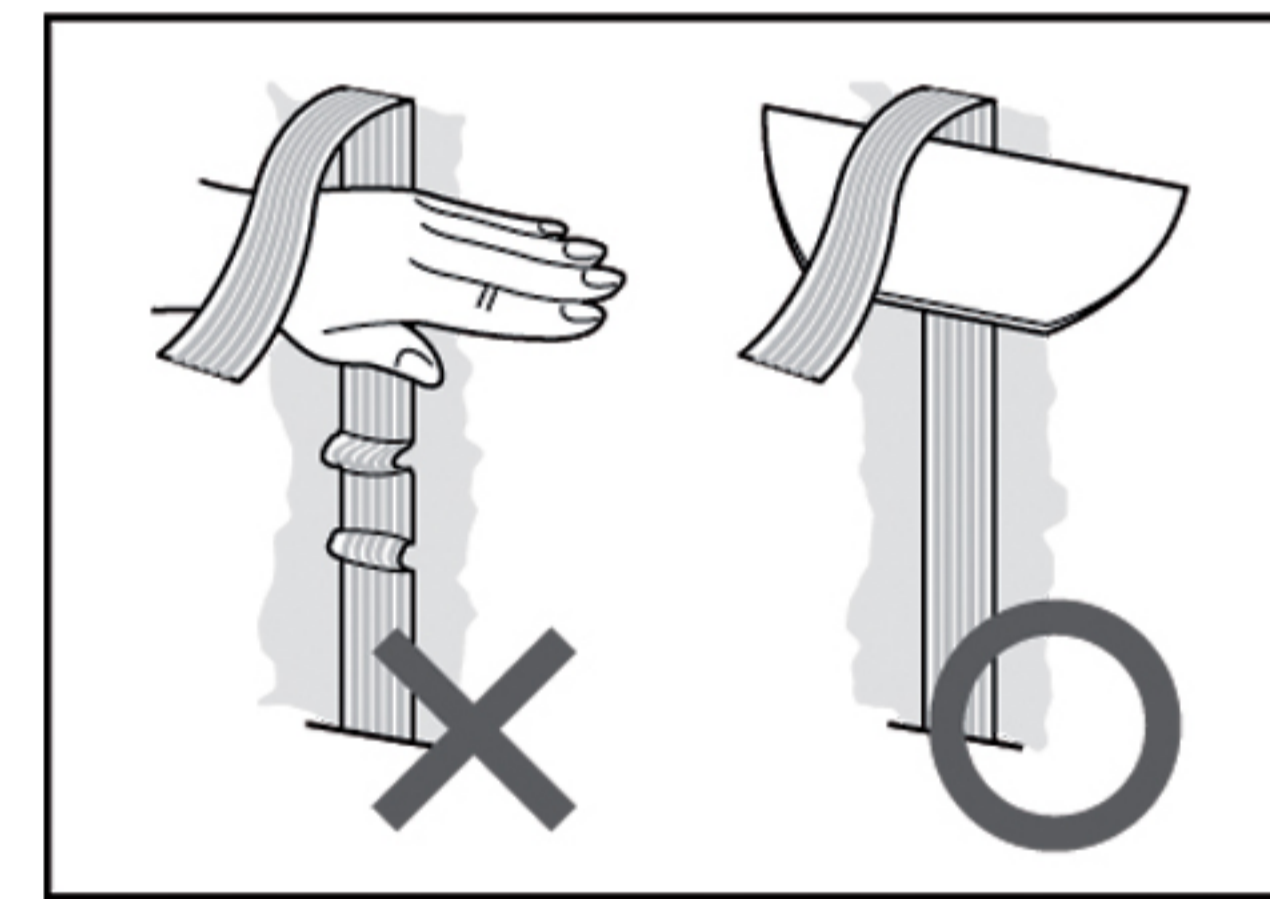
3. Refer to assembly instructions **B. PAGE 2**, to assemble MAGIC ELEK and its connectors.



4. Glue connector A with the adhesive double sided.

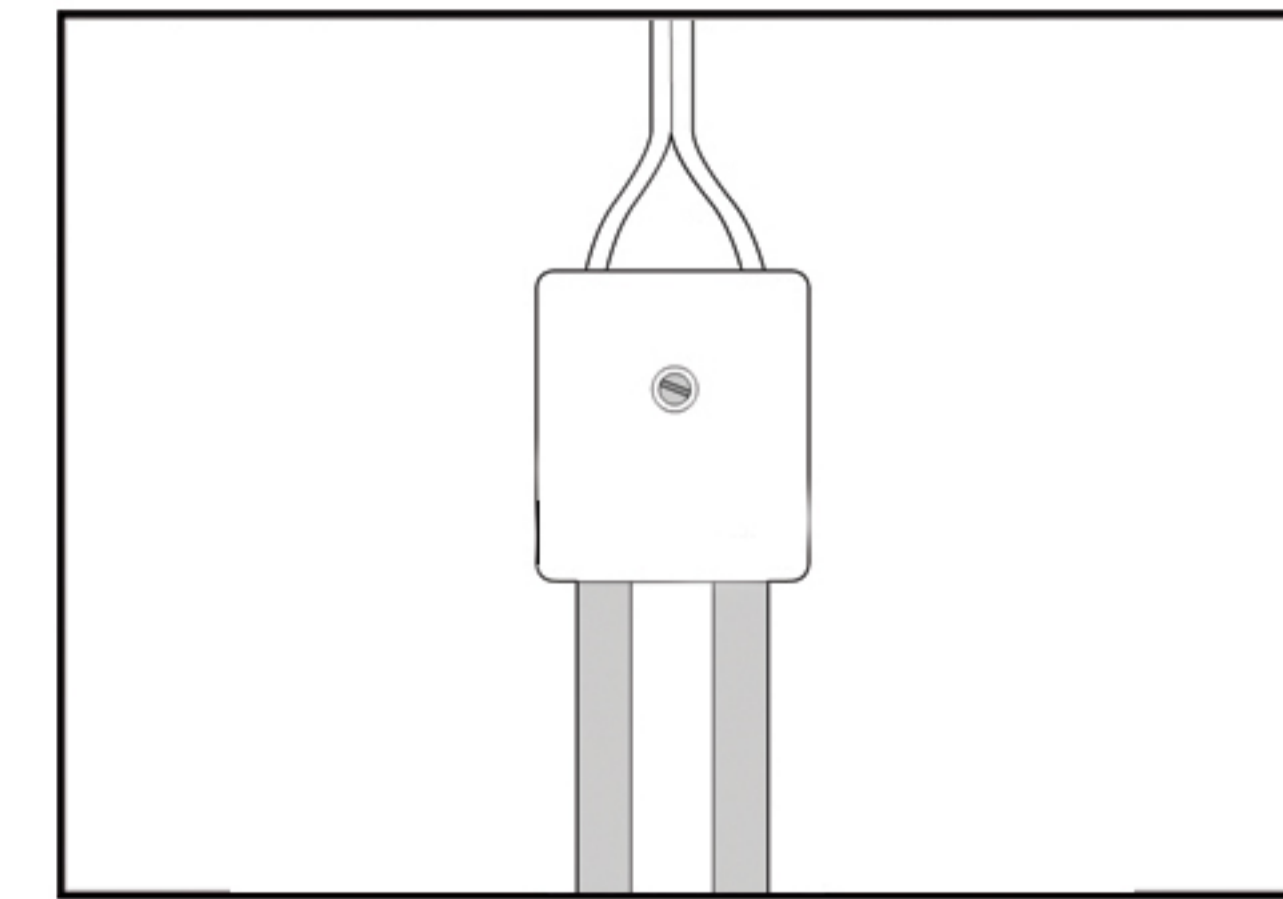
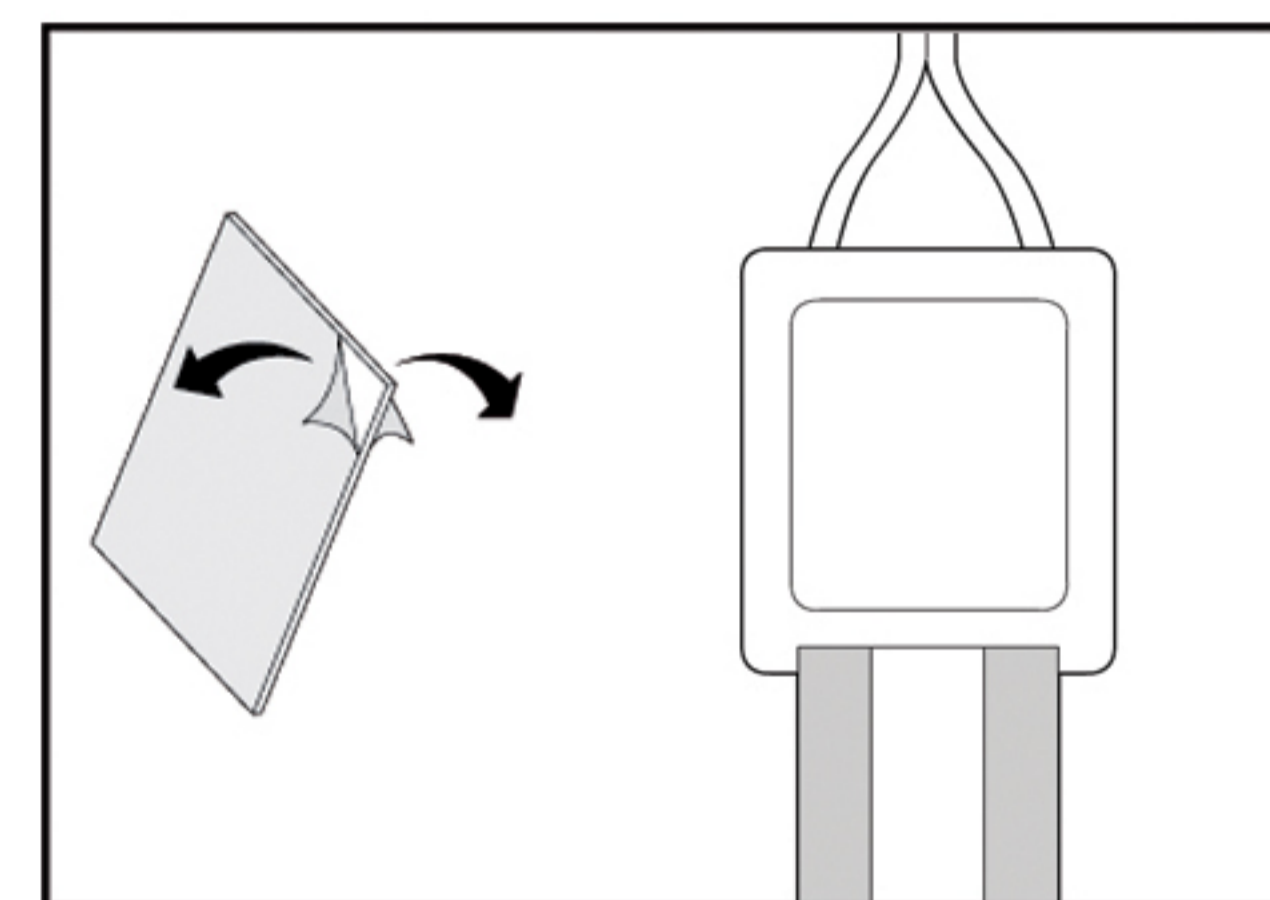


5. Use the double-sided adhesive tape, on the entire surface of the MAGIC ELEK cable.



6. Smoothly apply Magic Elek on the traced trajectory **2.**

Press carefully from the center to the outside of Magic Elek.



7. Attach connector B to the surface or wall using the double-sided adhesive tape.

B. ASSEMBLY GUIDE |



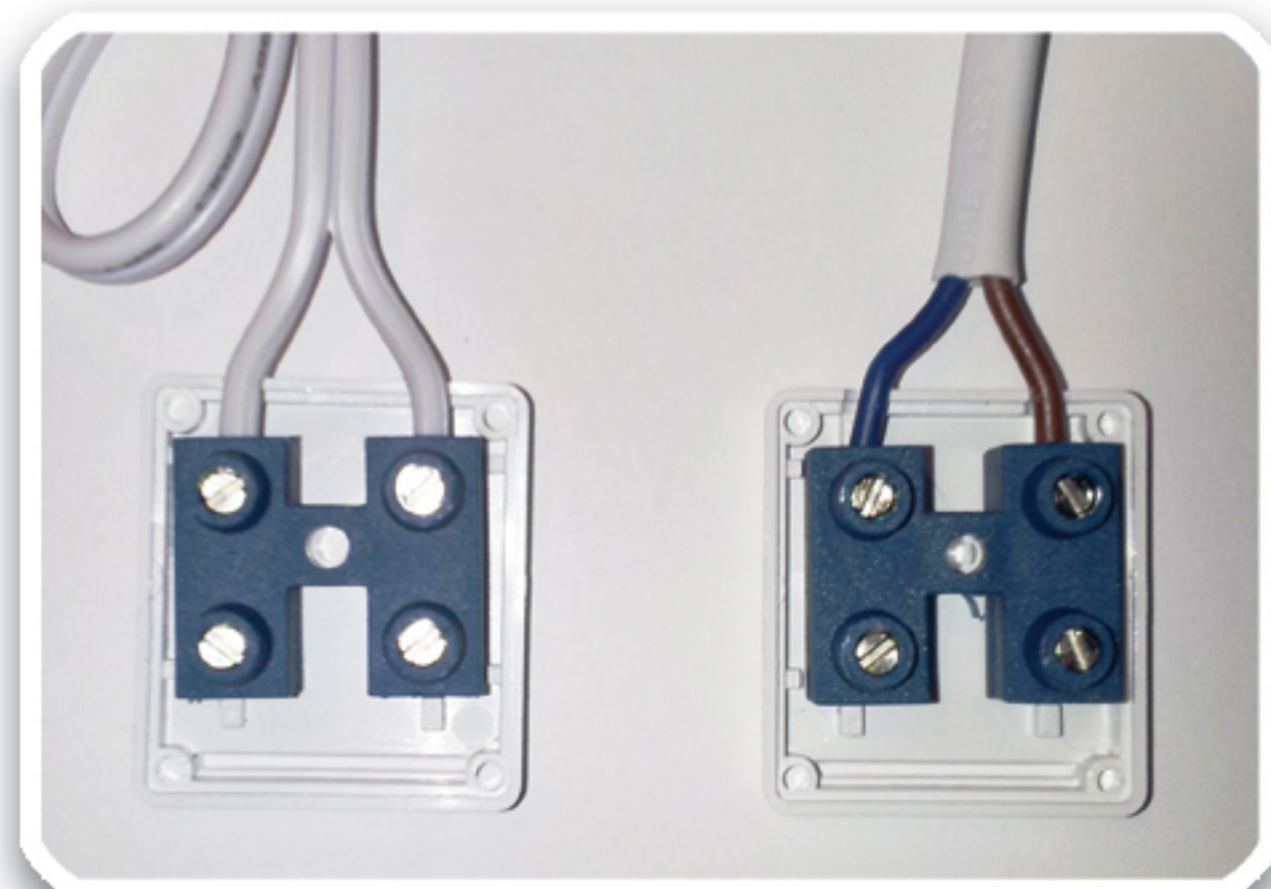
1. Unroll and Cut the Magic Elek tap to the desired length
A.2. PAGE 1..

TRICK :

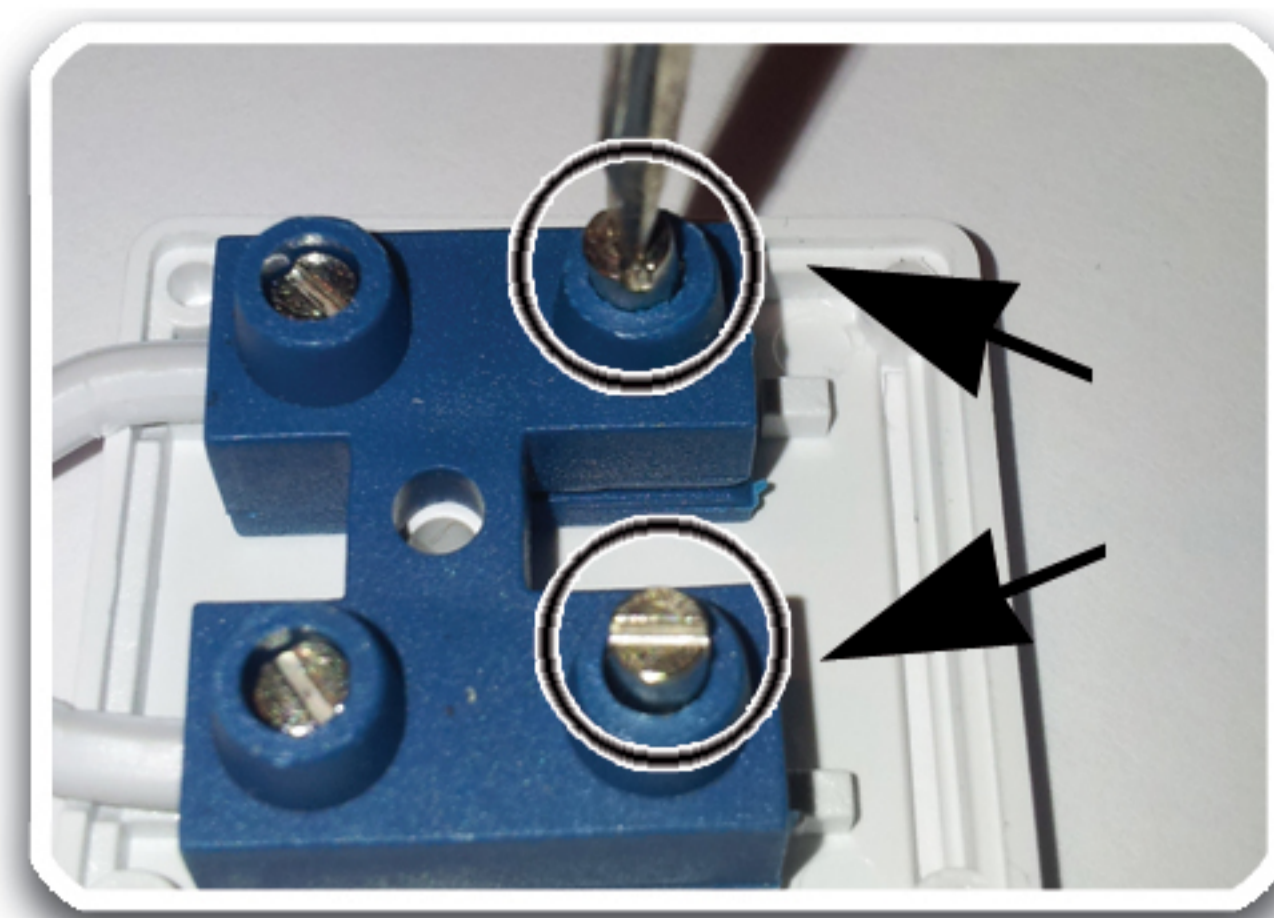
> Remember to leave a margin length for connector links



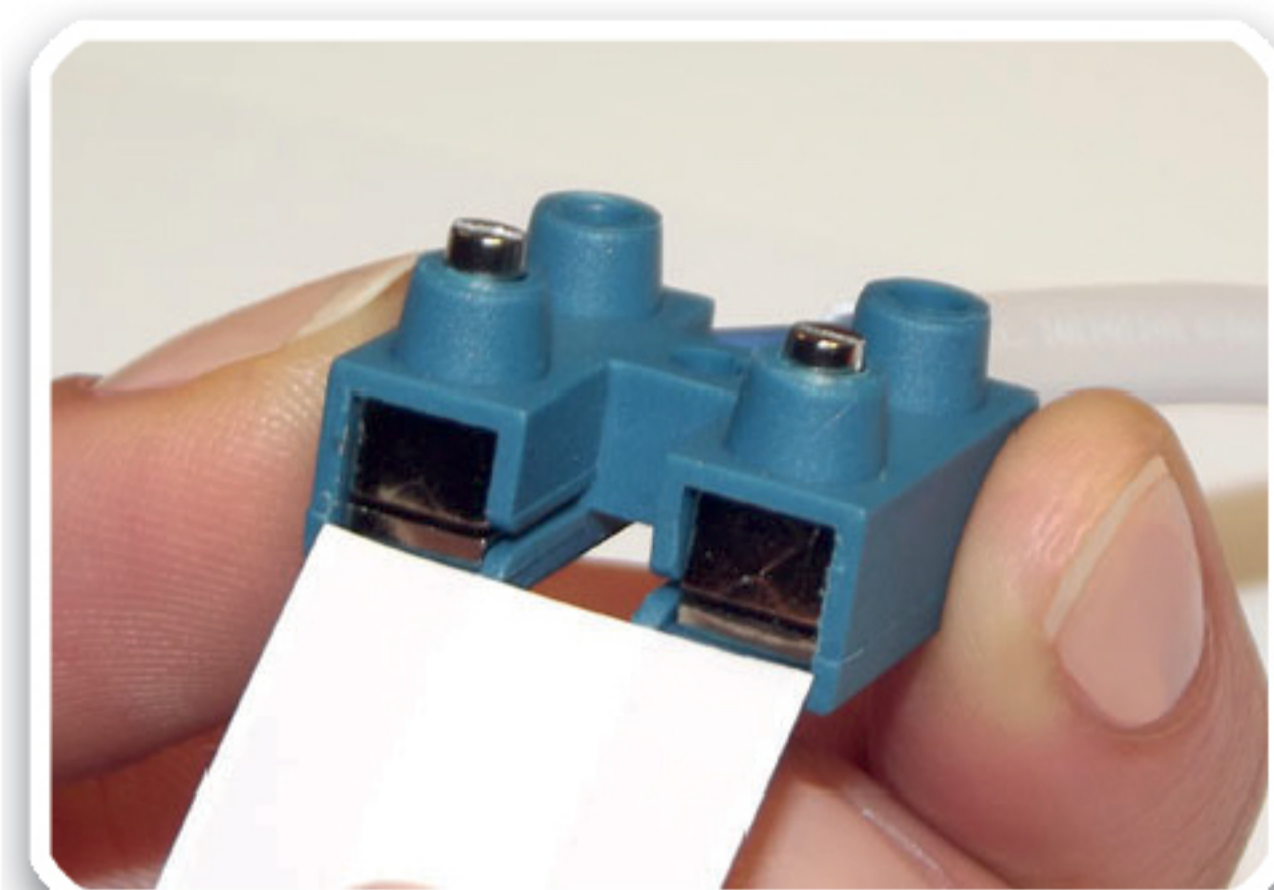
2. Remove the upper part of each connector



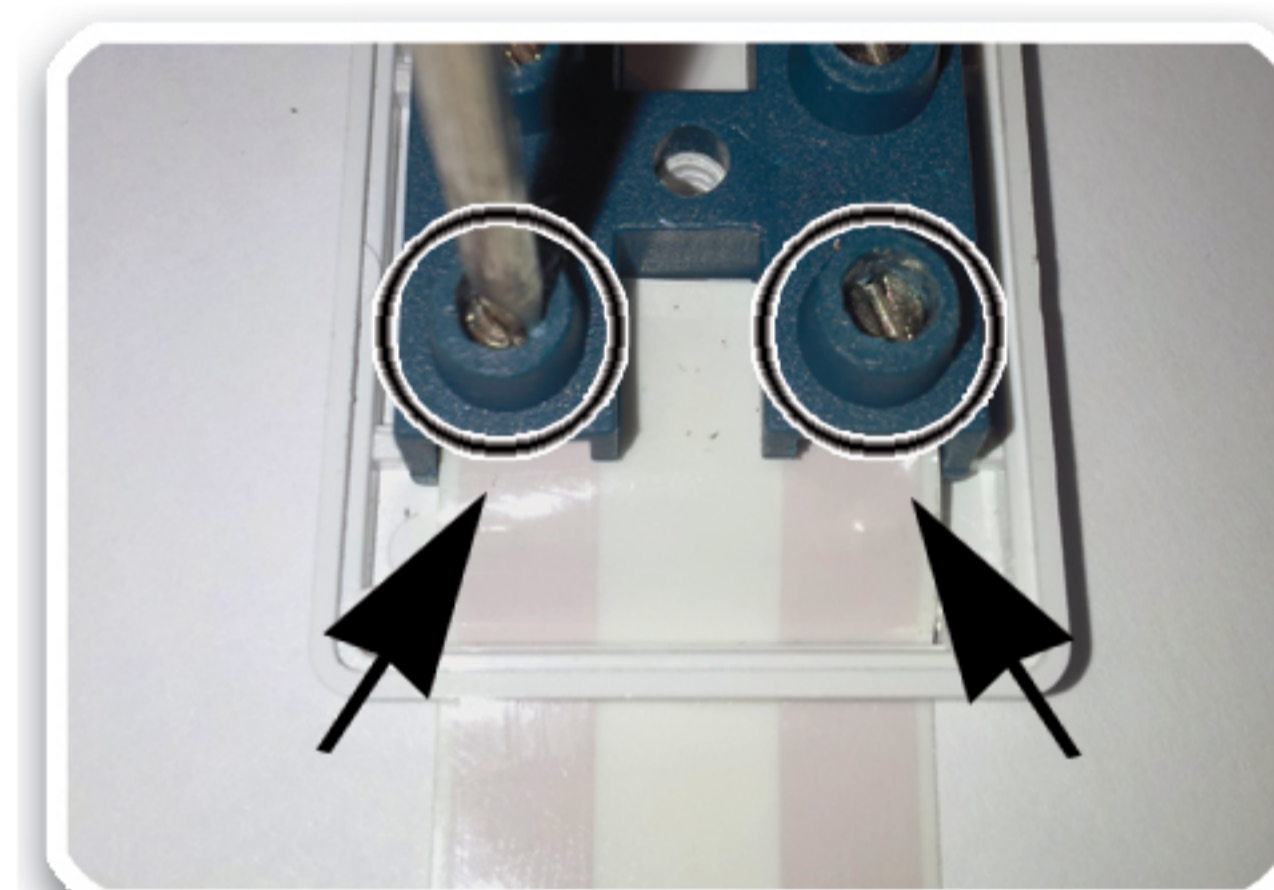
3. Prepare connectors A and B



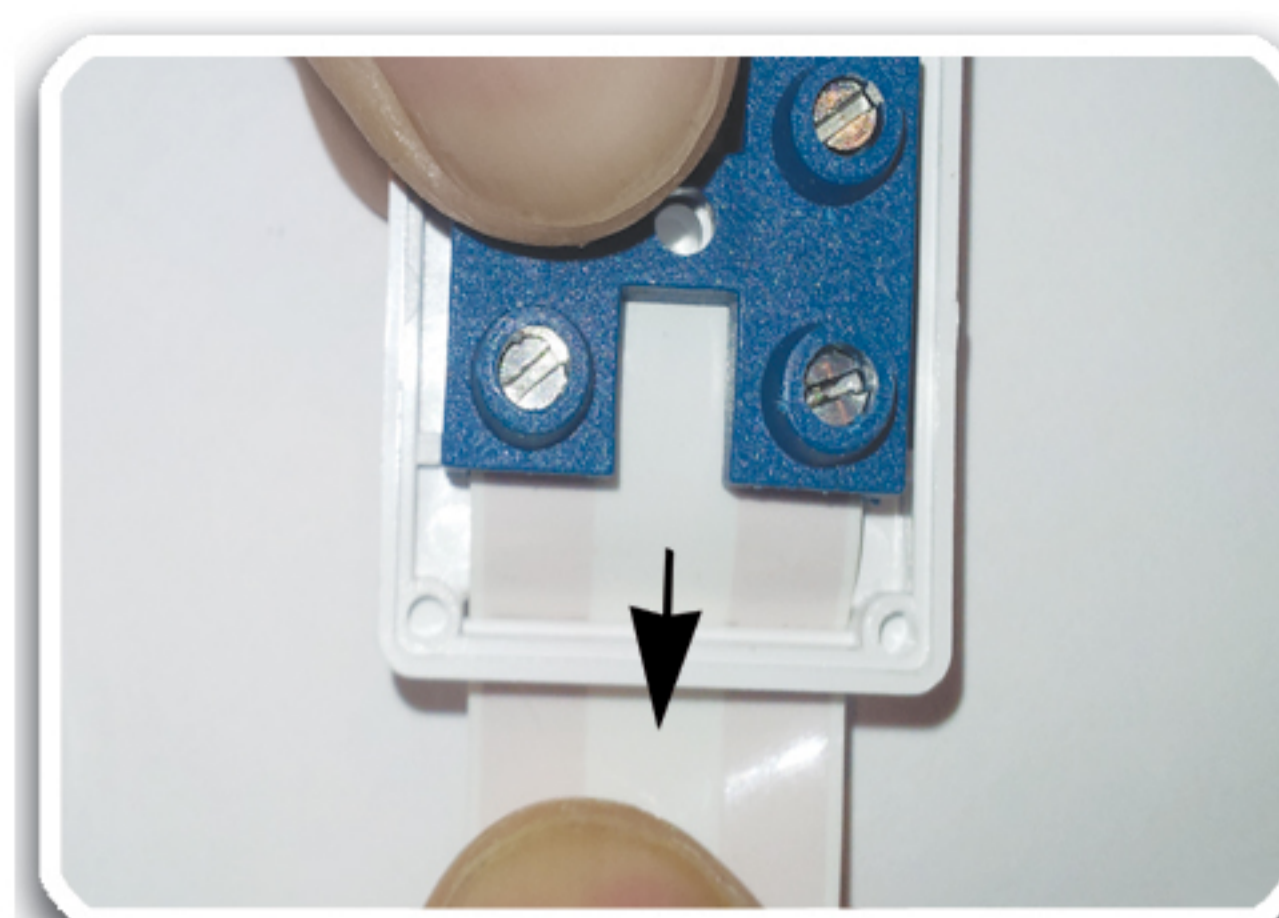
4. Make sure that the screws of your dominoes are well unscrewed



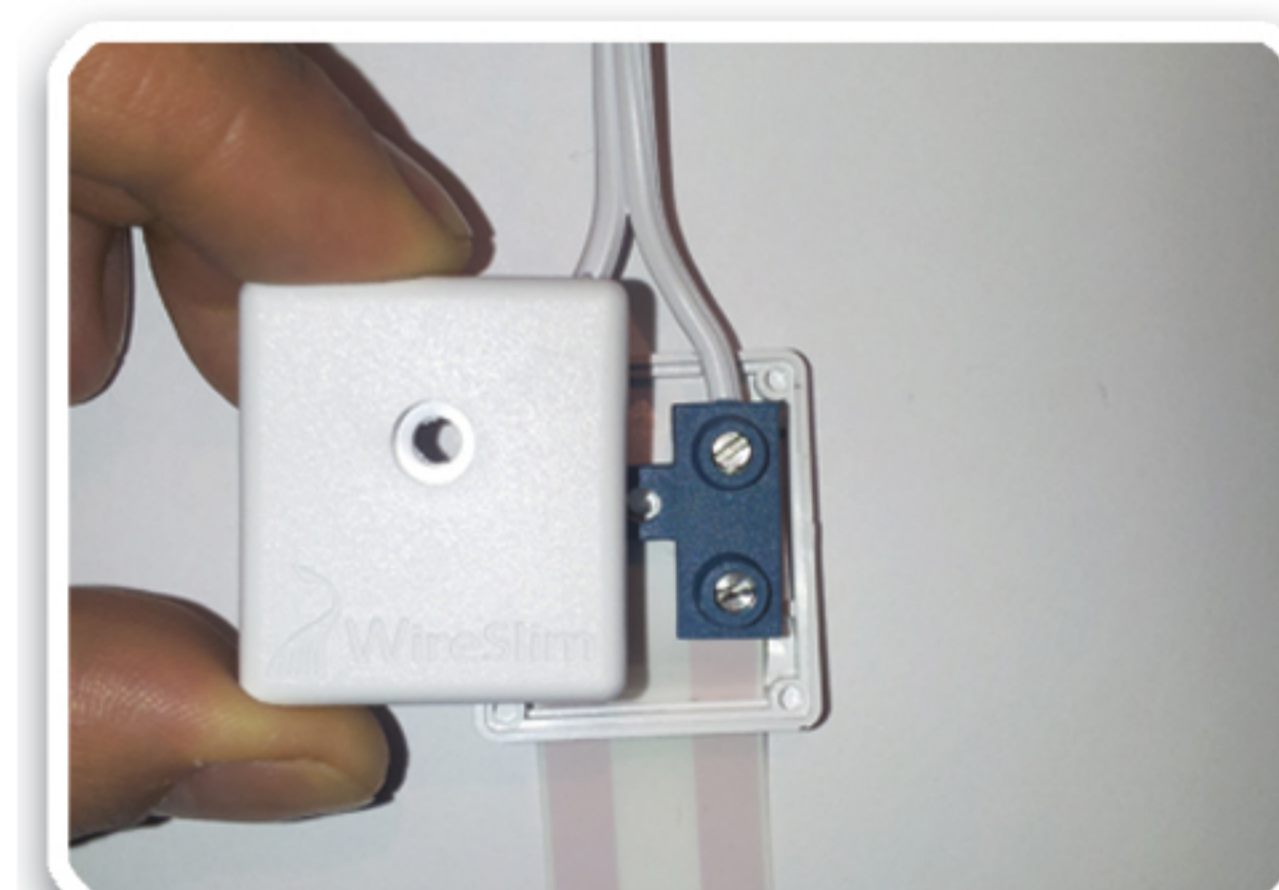
5. Insert Magic Elek into the connector through the slot provided for the cable and into the domino to the bottom



6. After the introduction of Magic Elek at the bottom, screw until you have drilled the cable



7. Pull lightly on the cable in order to verify your agreement



8. Put your domino back in your box and close it



9. Use the supplied screw to lock access to your box

10. Repeat assembly with connector B.
(from step 4.)

11. Optional

If the connector does not hold on your wall with the adhesive, you can add glue provided in the pack. If this is still not enough because the wall has imperfections, it is possible to screw the connector to the wall, a hole is already provided in the case for the screw.

Our demonstration videos are already available on our website in the TIPS section :
www.en.magicelek.com
or on YouTube, type :
"MAGIC ELEK".



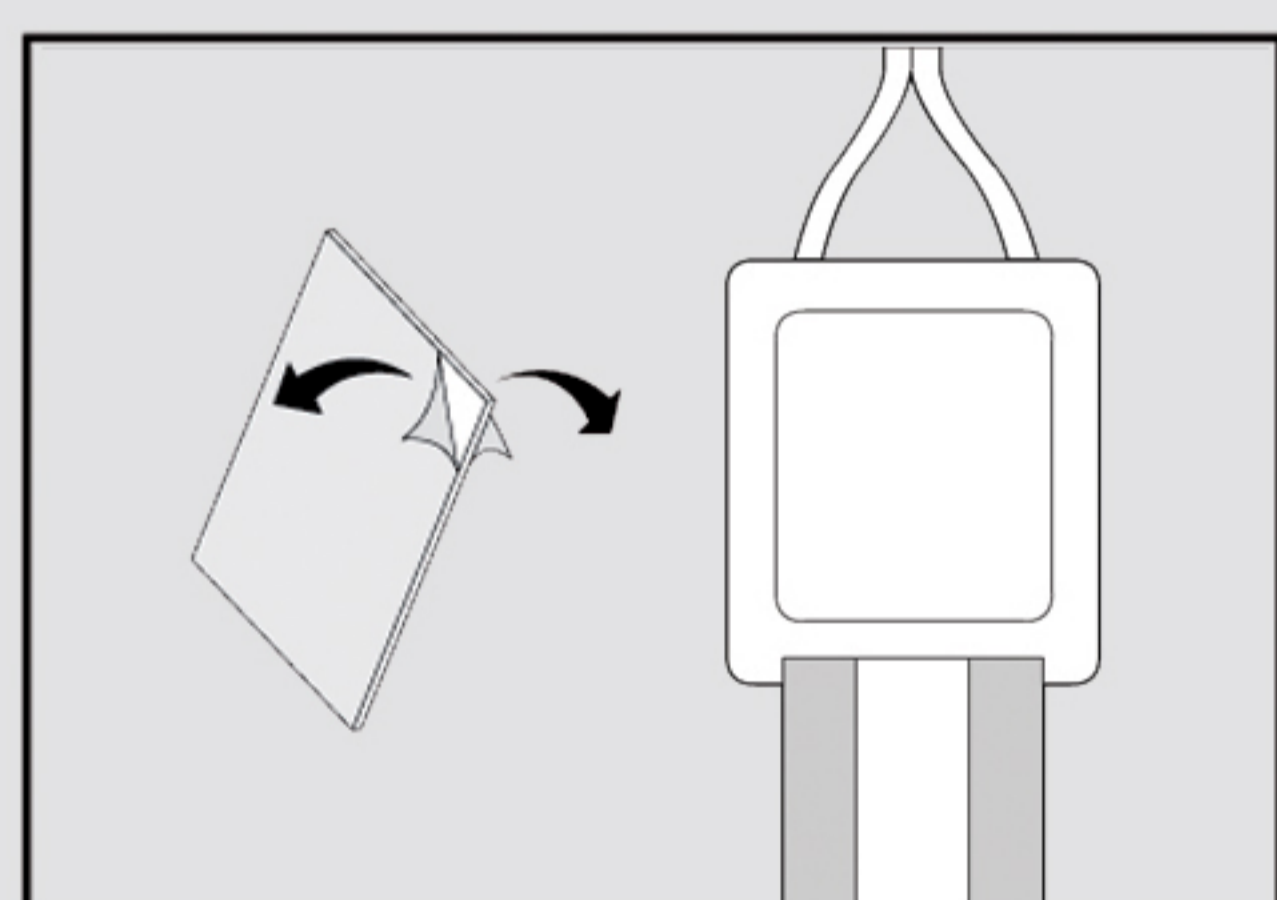
TEST YOUR ASSEMBLY BEFORE STICKING IT TO THE WALL

Keep out of the reach of children

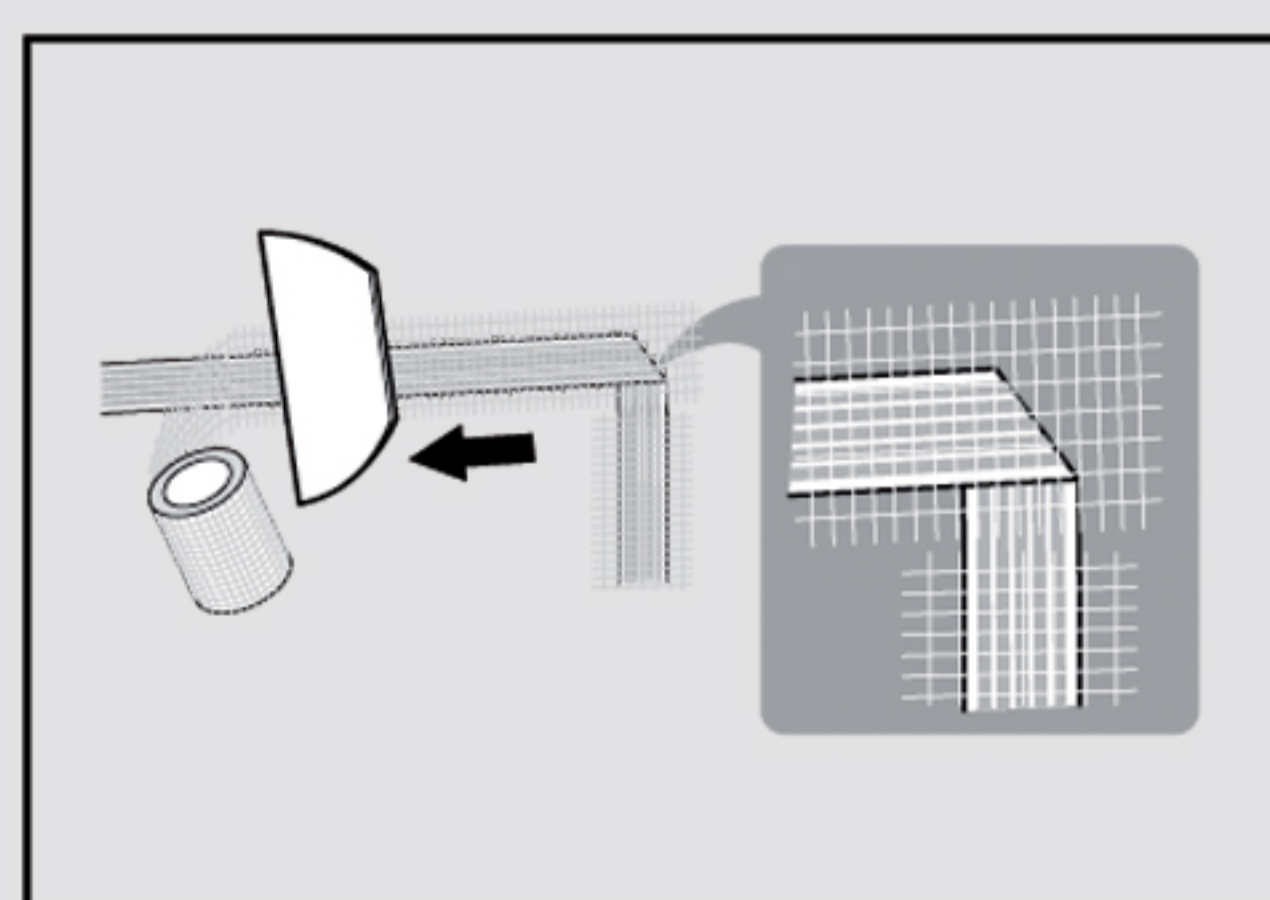
Magic Elek is not responsible for any damage caused by the use of the product outside our recommendations for use.

C. OPTIONAL INSTALLATION |

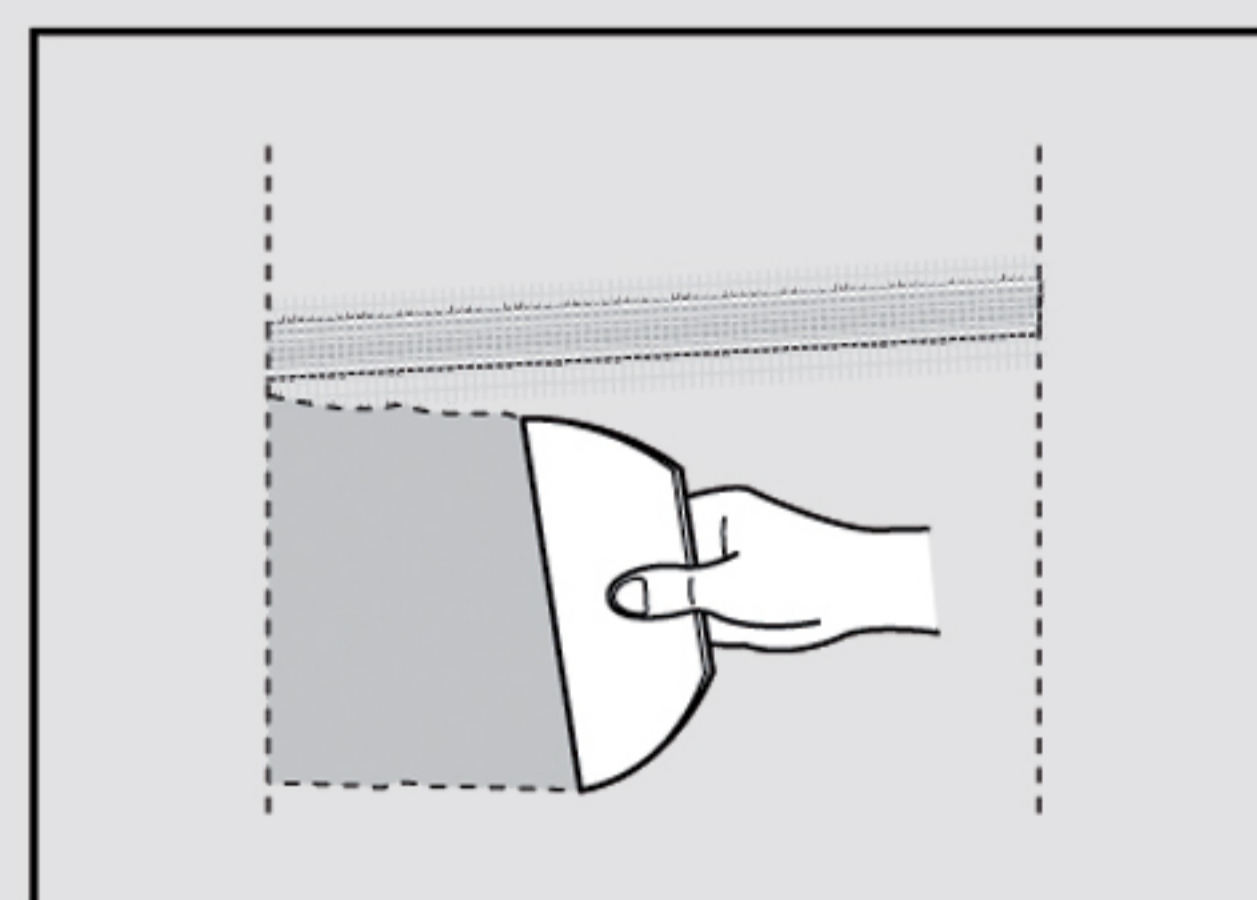
This step is not necessary if you put plastic paint directly on your cable.
Important: Before performing these installation steps, pre-test your assembly installation.



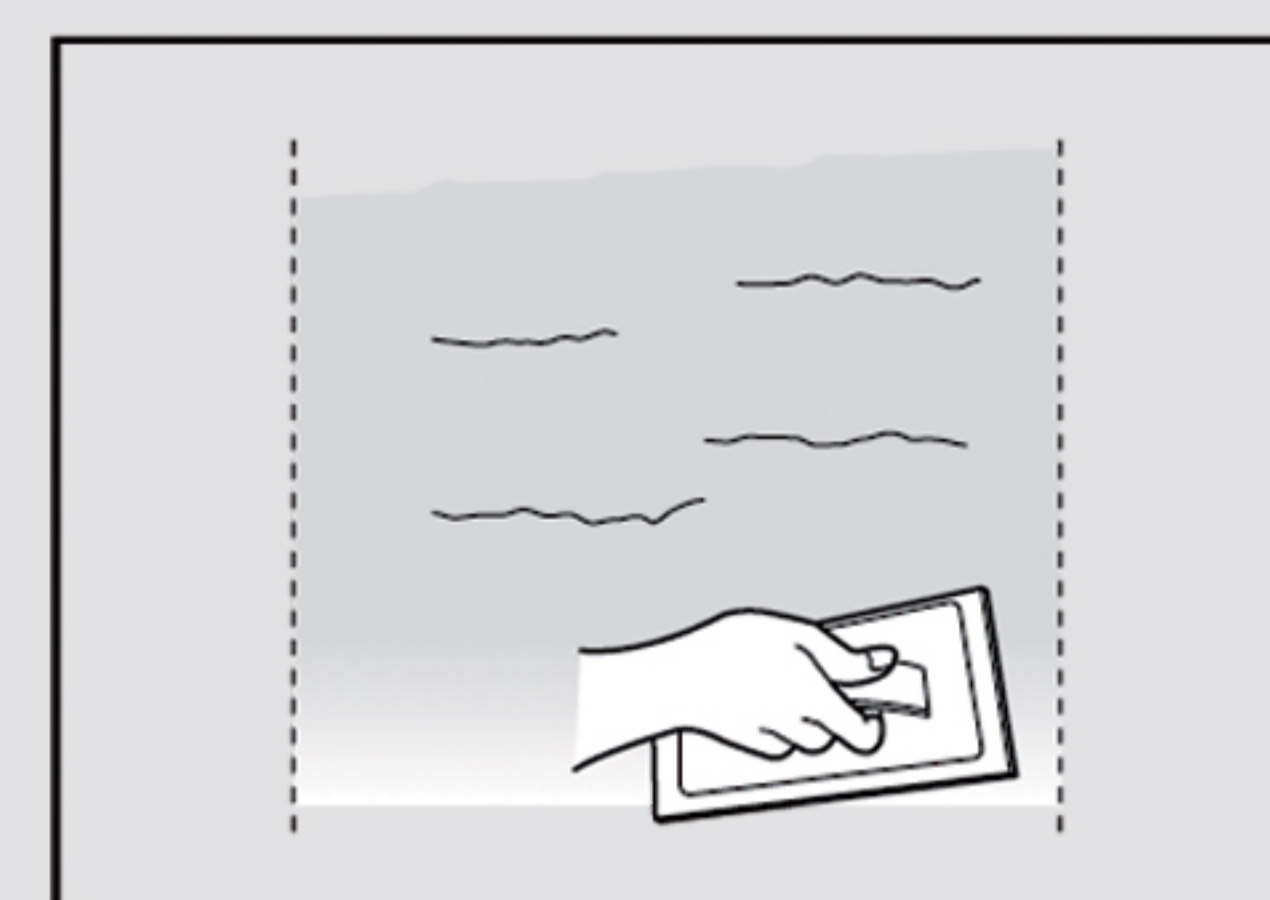
1. Fix the connectors on the surface or the wall using the double-sided adhesive.



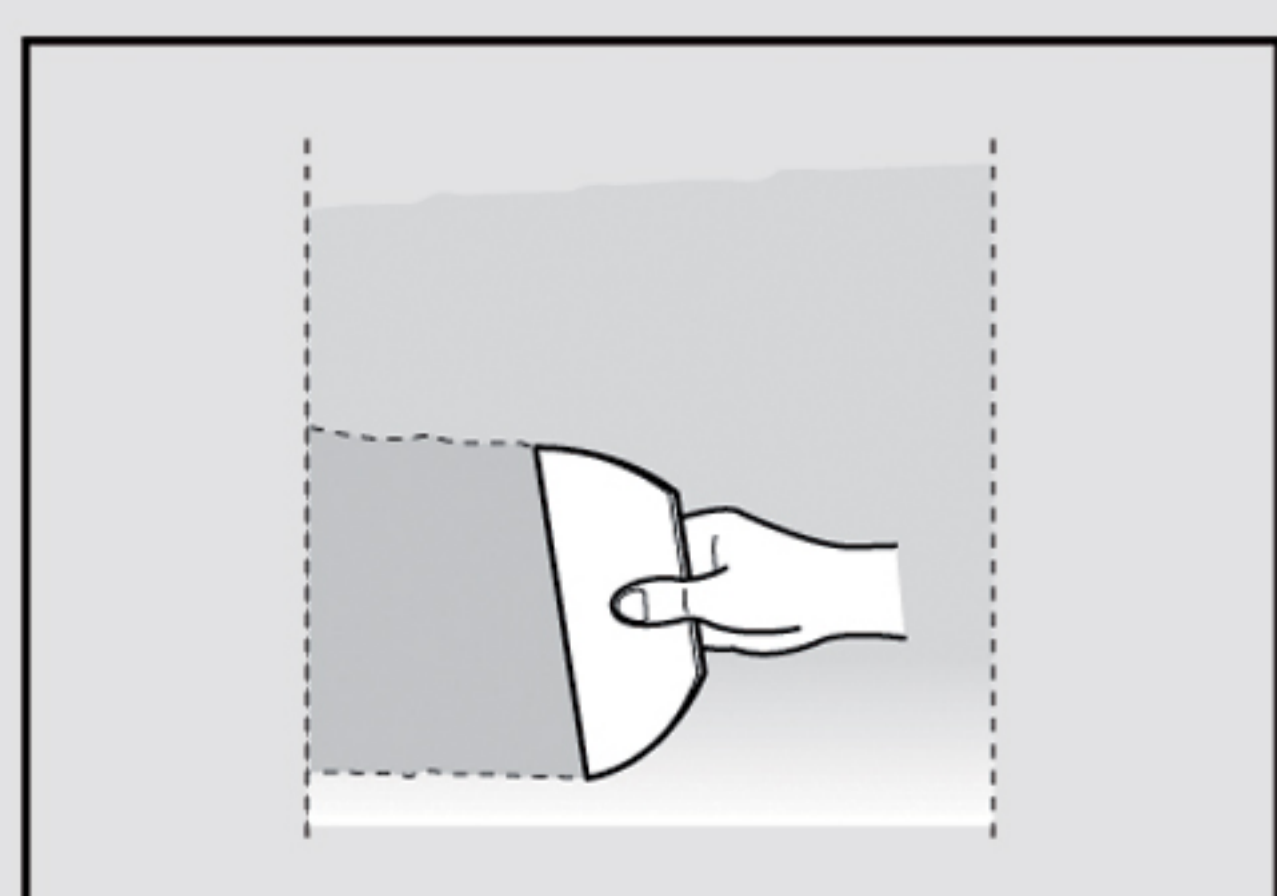
2. Apply adhesive mesh tape directly to Magic Elek and press it firmly



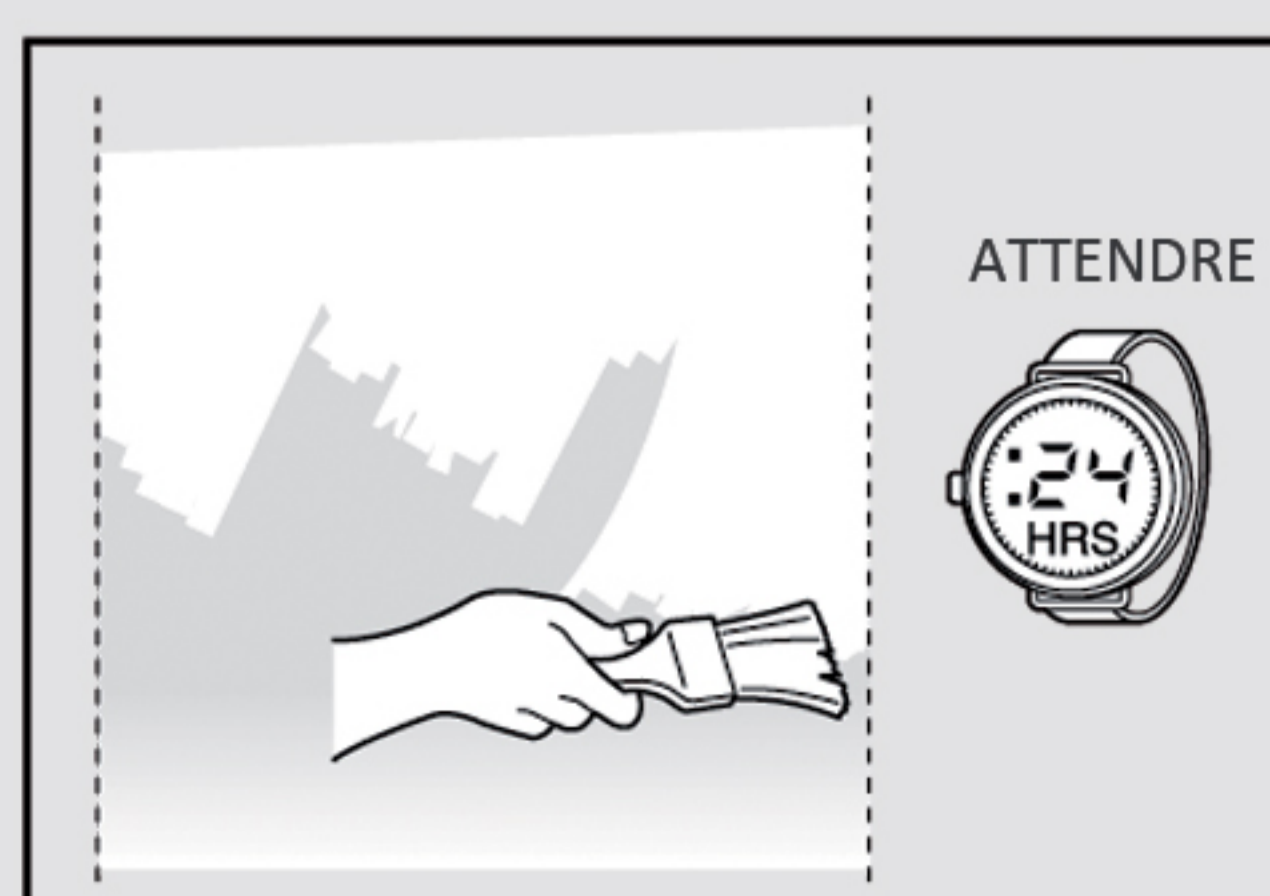
3. Apply a thin layer of filler to the adhesive mesh tape



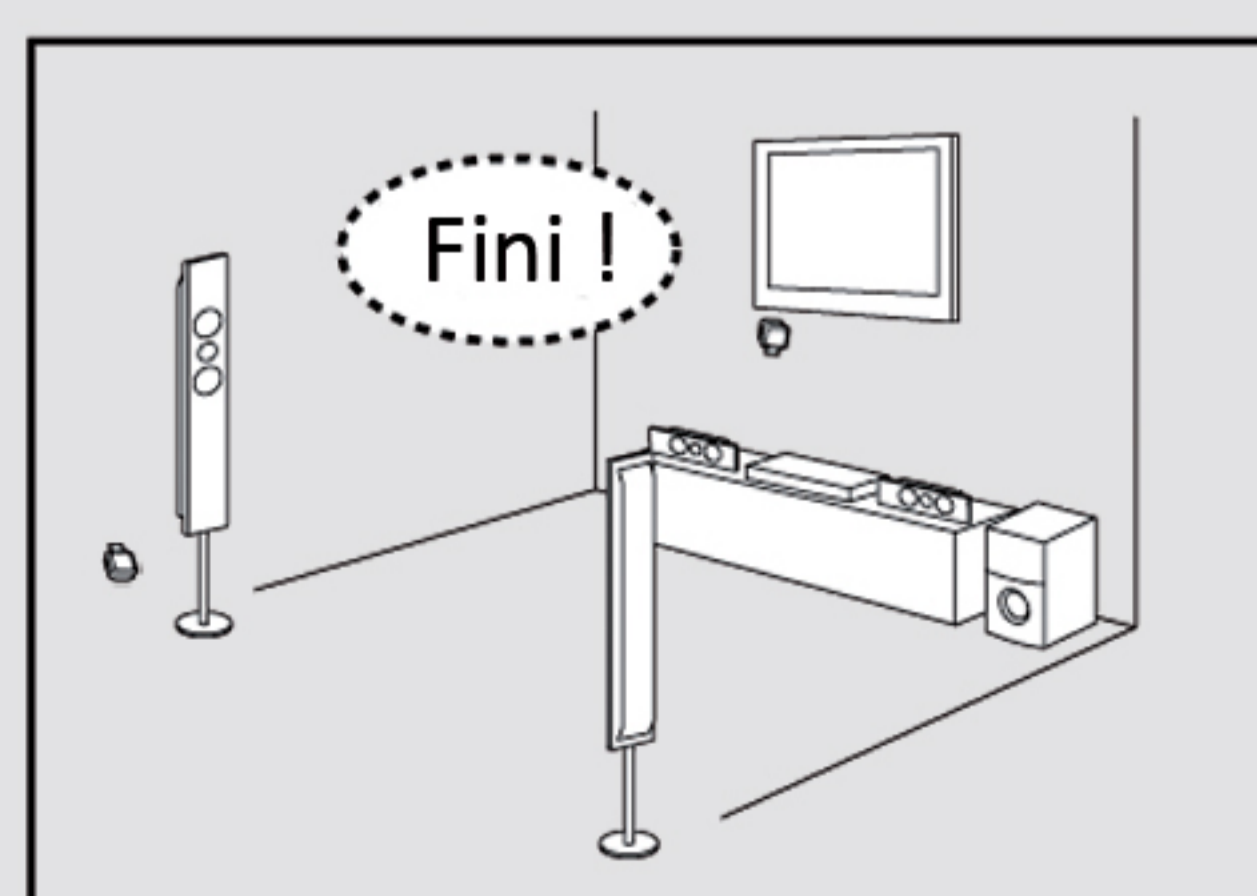
4. Flatten the coated surfaces



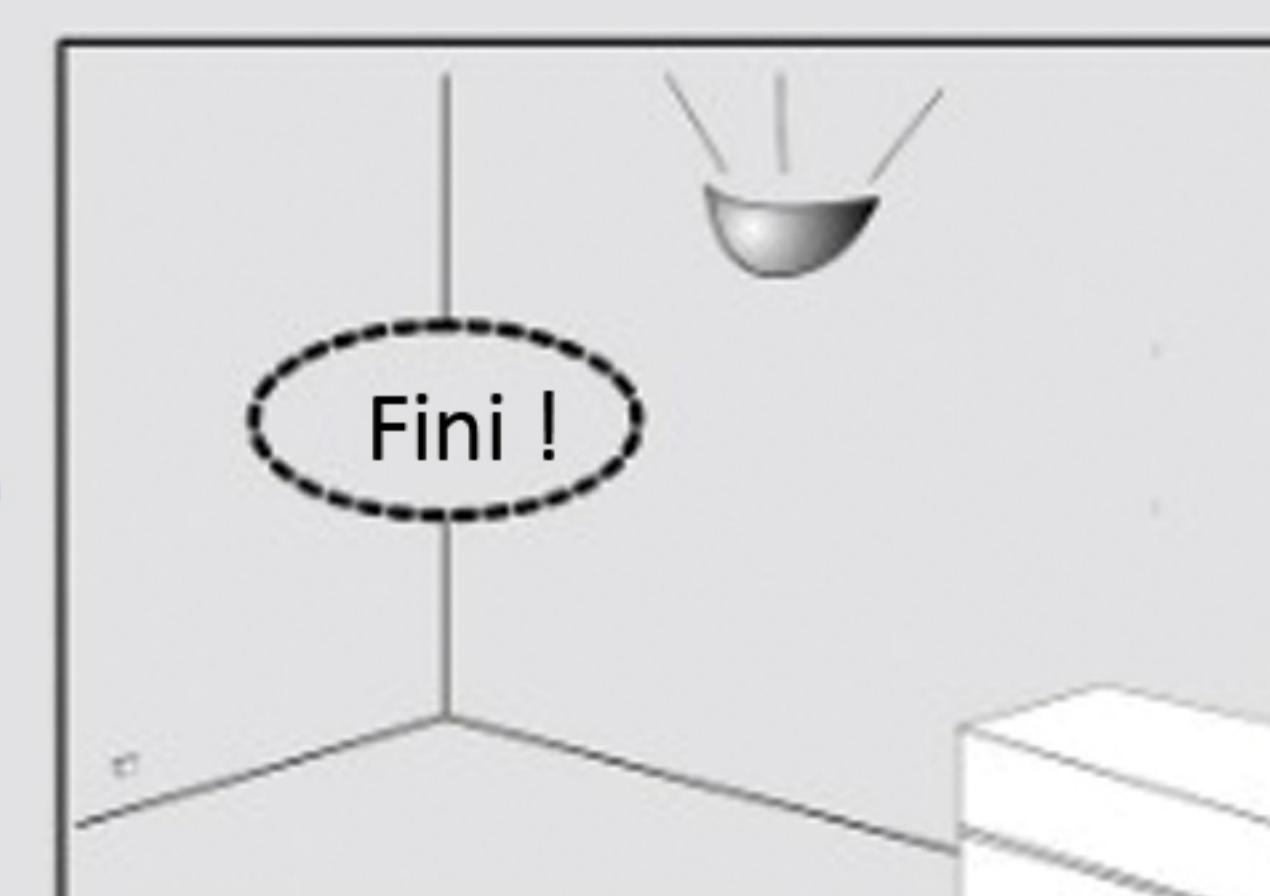
5. Apply additional coats of filler if necessary



6. Painting on the surfaces (two coats), and leave for 24 hours



Finished! Multimedia



Finished! Lamp

or

7. Facilities completed